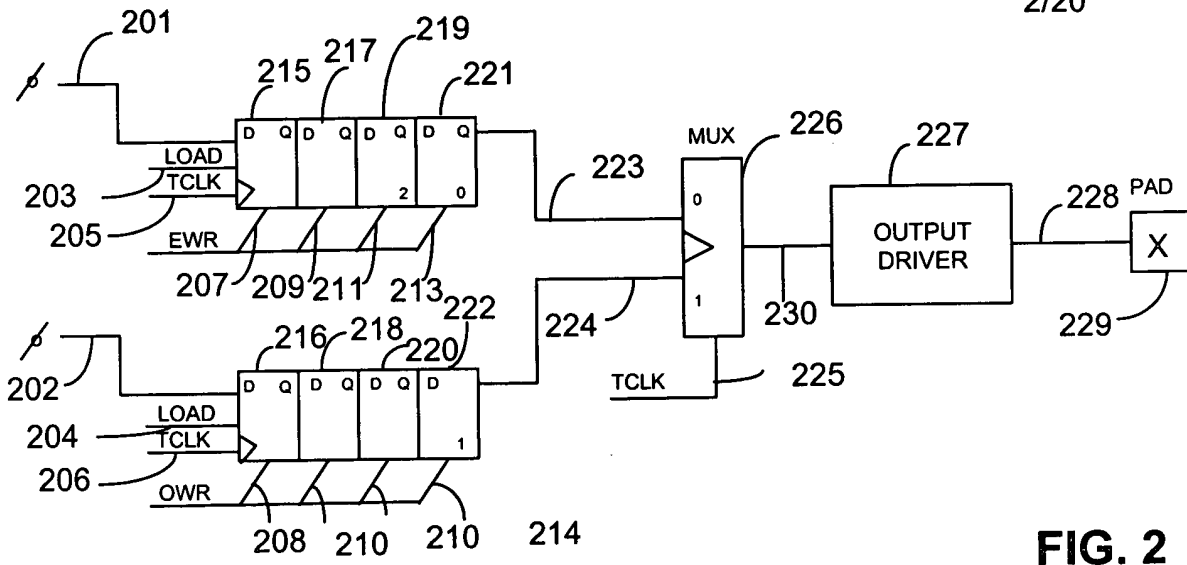


FIG. 1



RSL TRANSMIT PIPE EXAMPLE

FIG. 2
(Prior Art)

RSL RECEIVE PIPE EXAMPLE

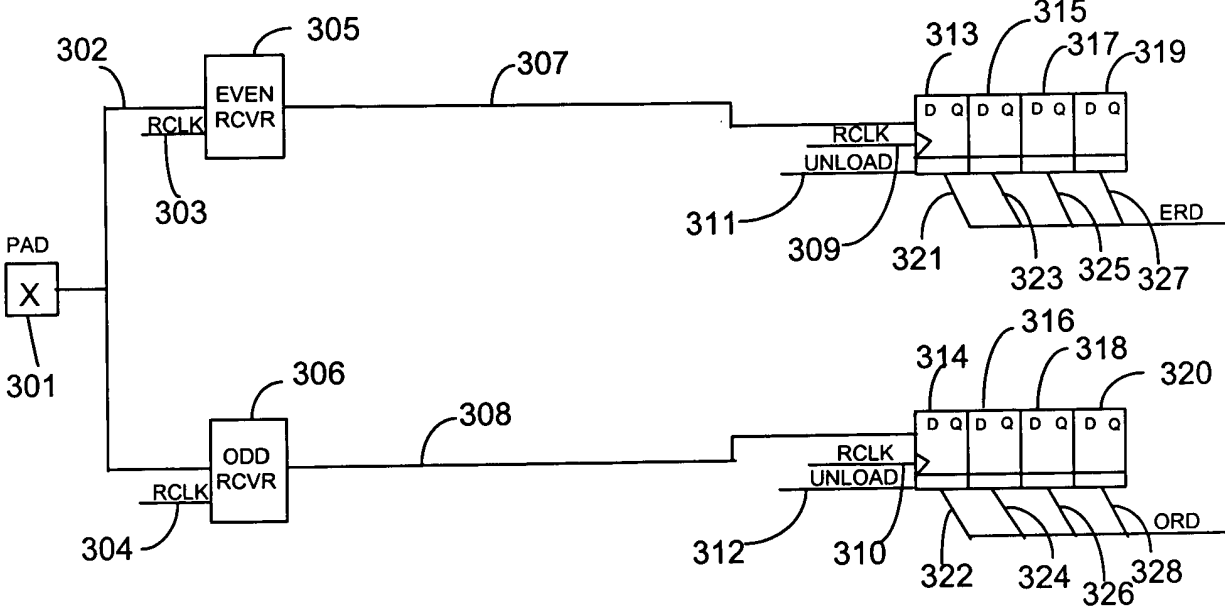
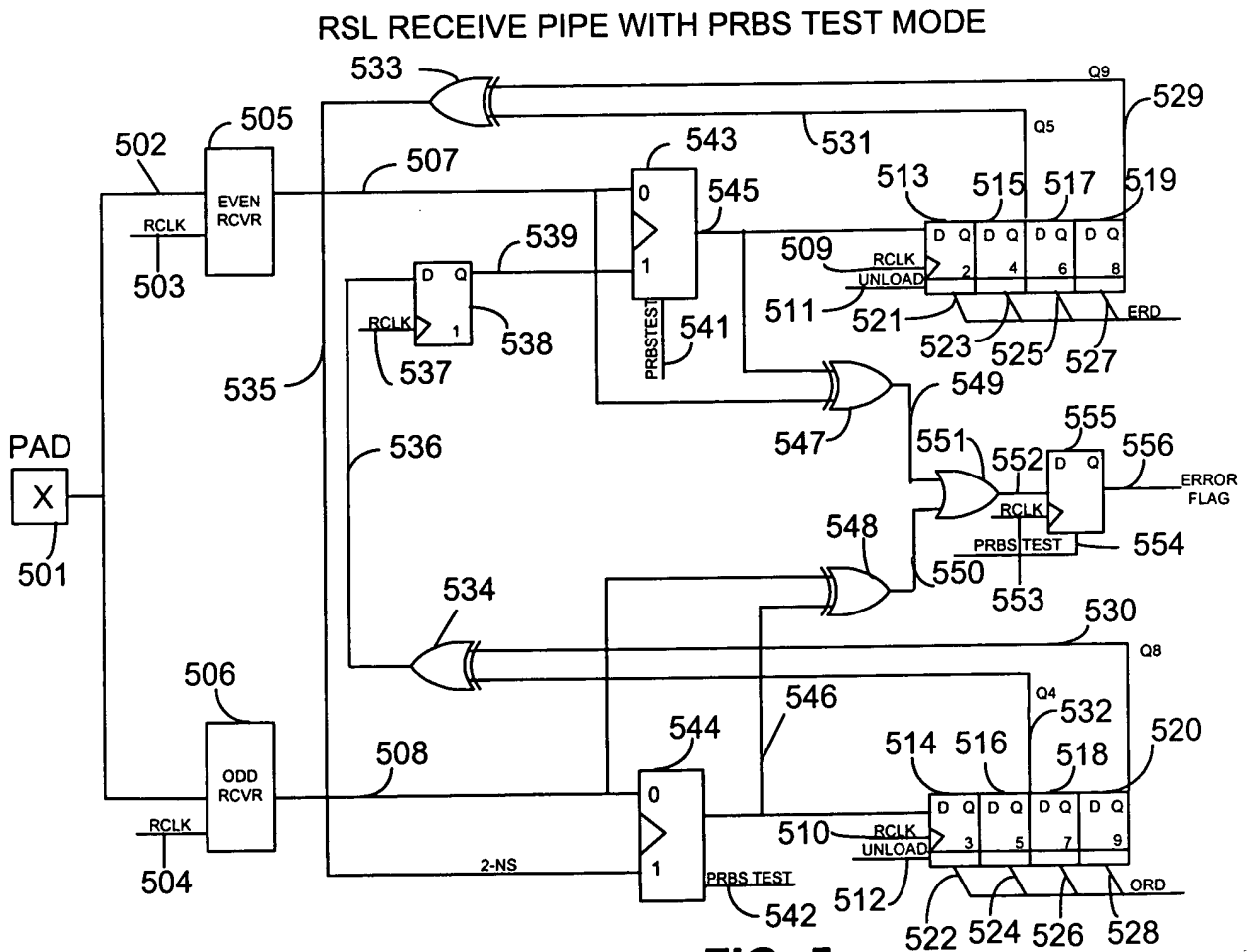
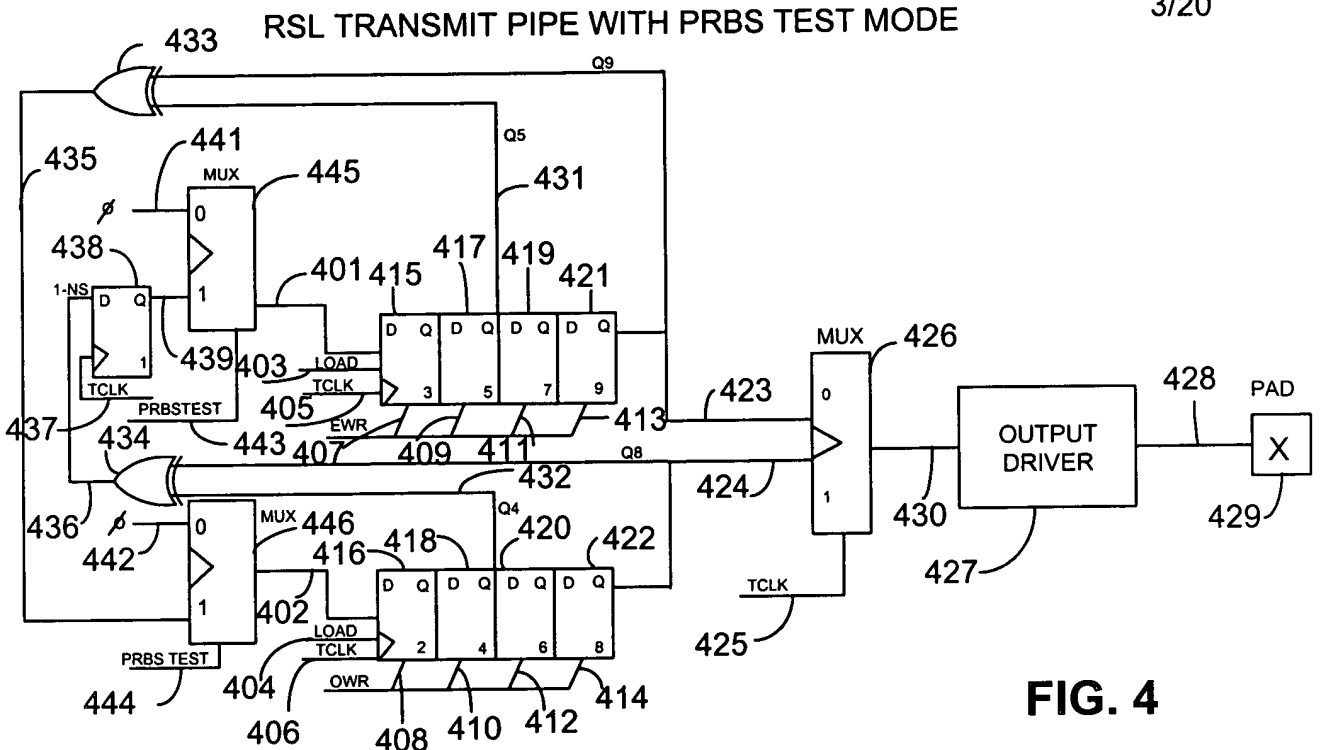


Fig. 3
(Prior Art)

FIG. 2 036260



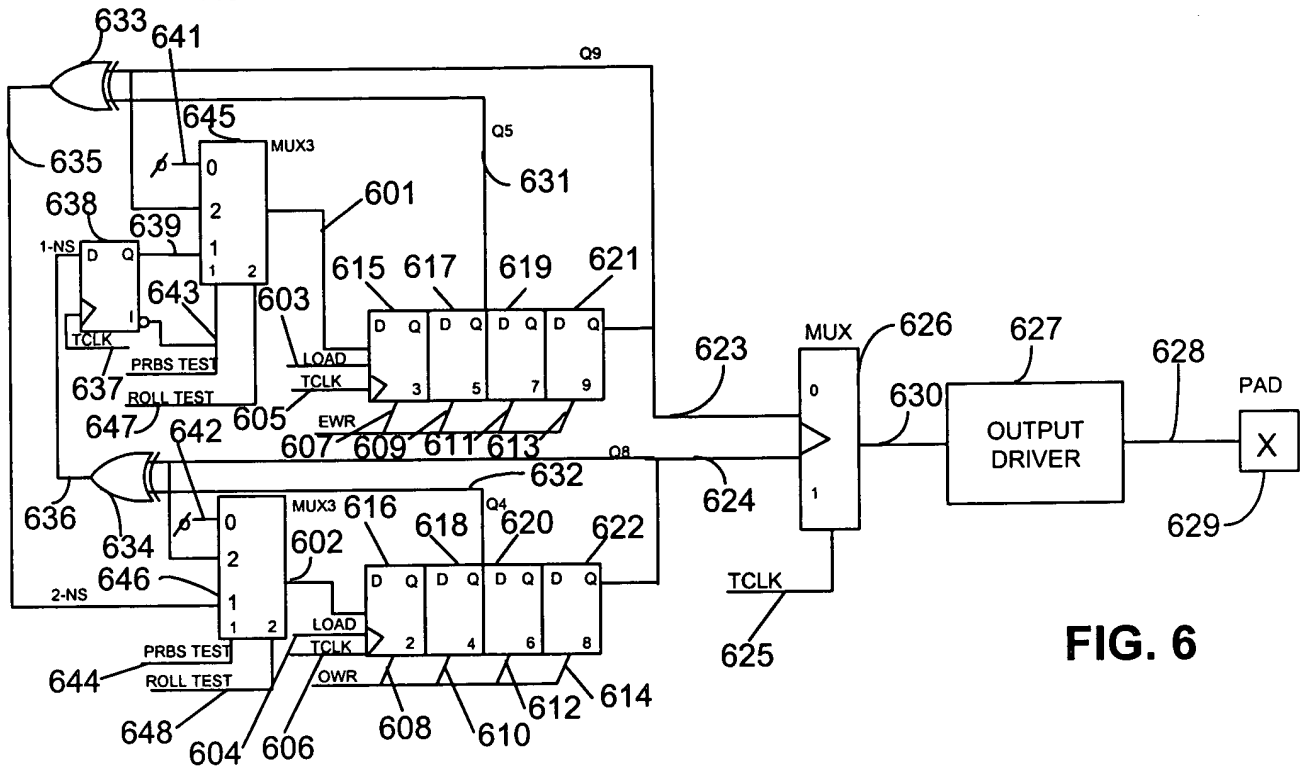


FIG. 6

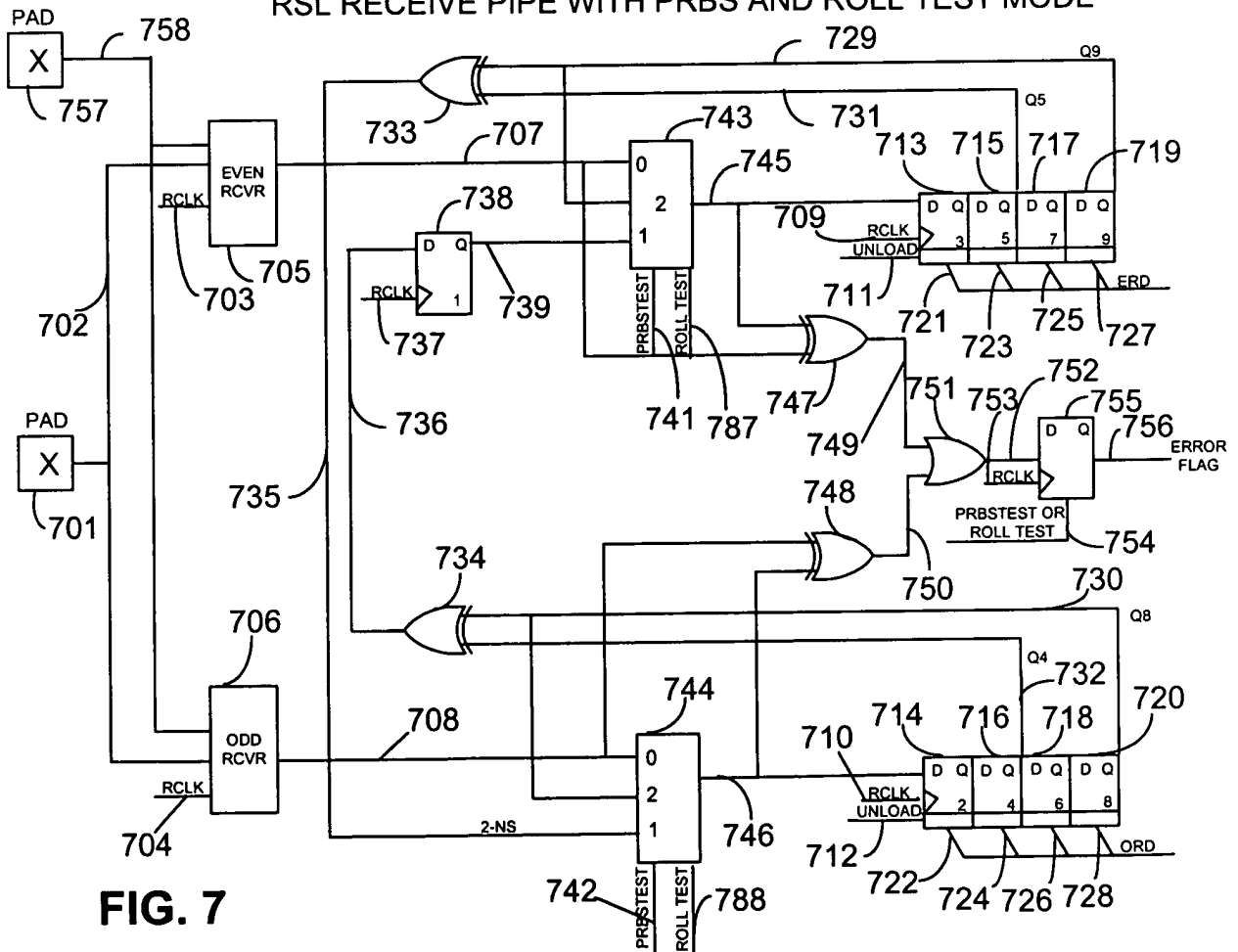


FIG. 7

"Patent" 6,666,666

QRSL TRANSMIT PIPELINE EXAMPLE

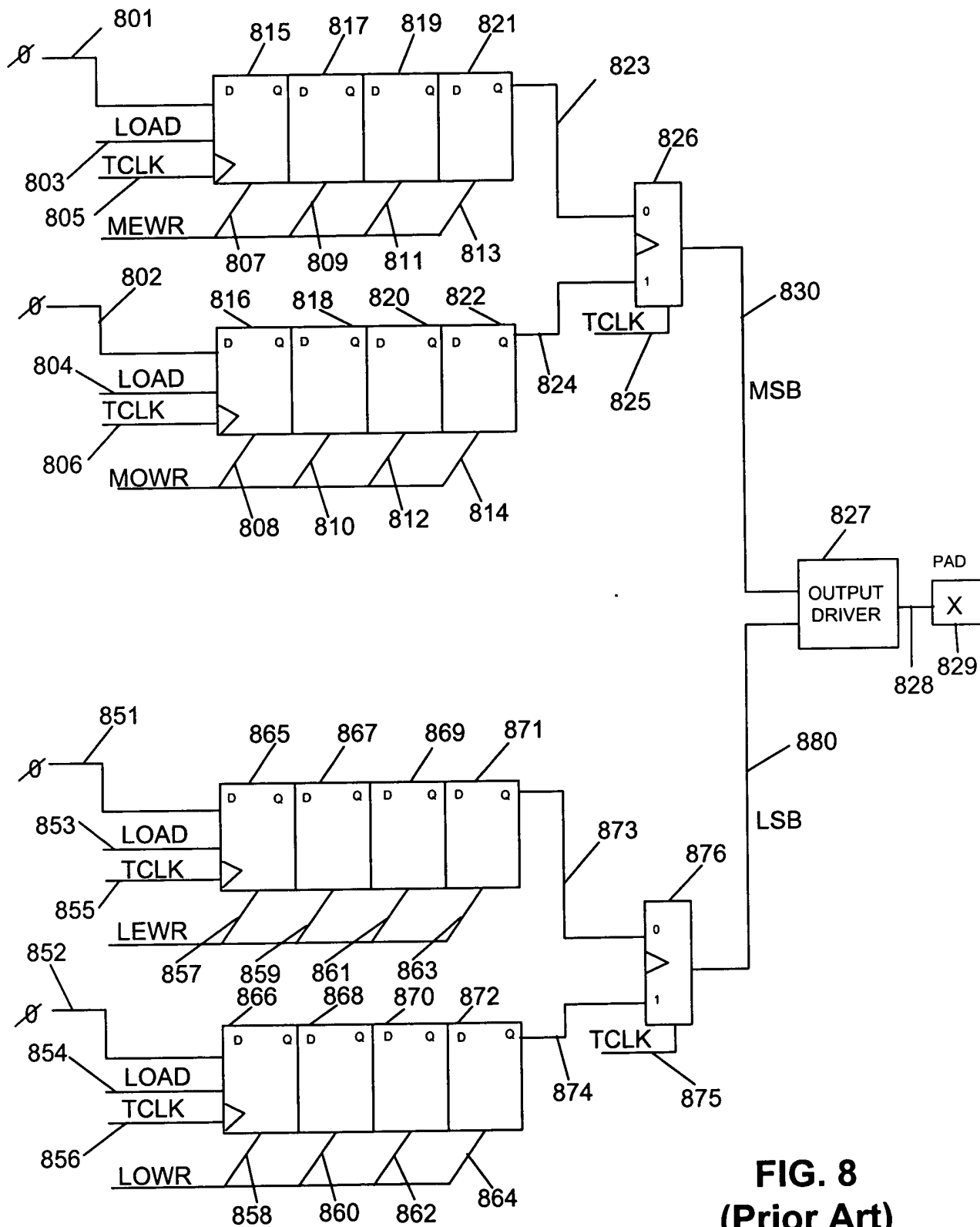


FIG. 8
(Prior Art)

FIG. 8 (Prior Art)

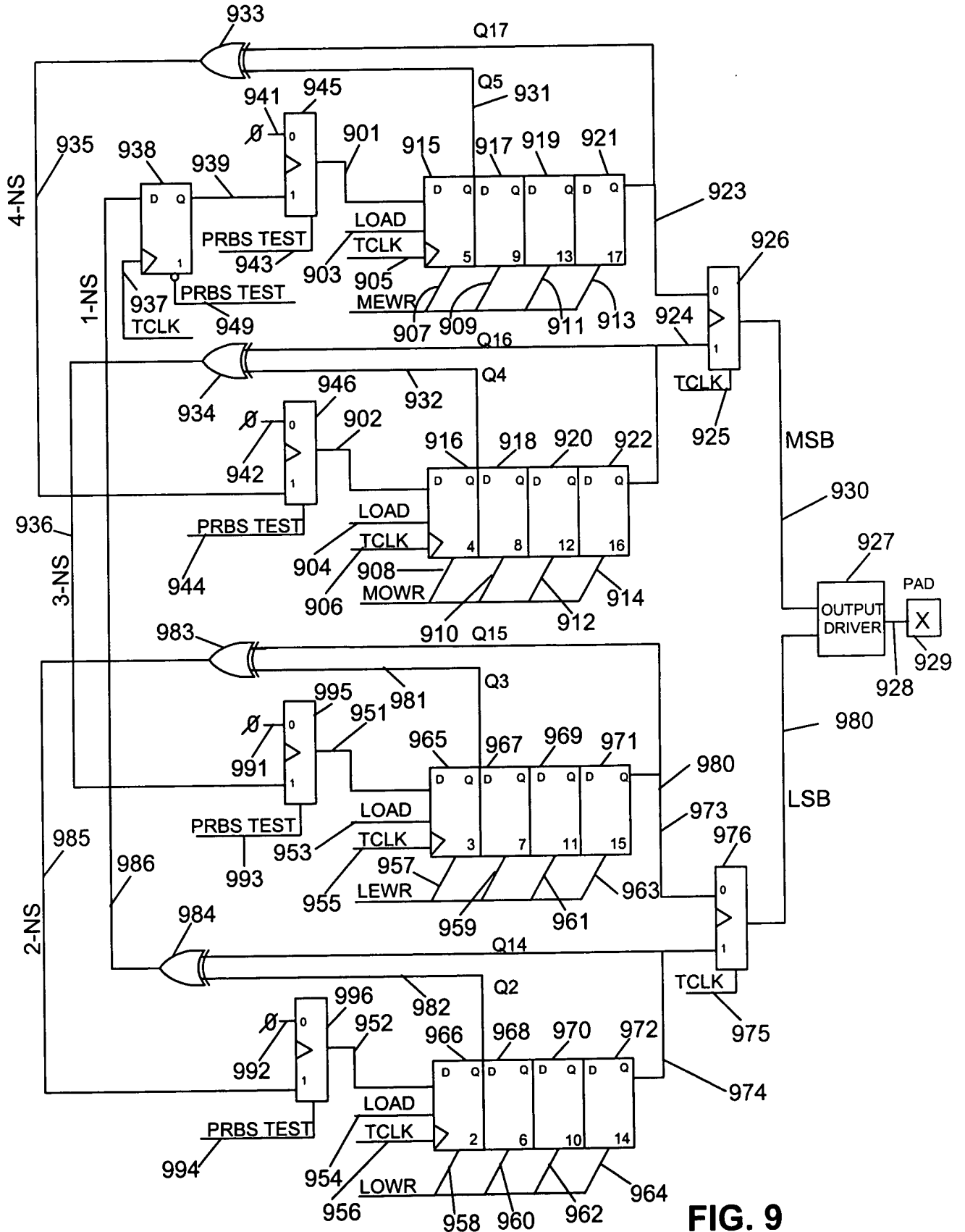


FIG. 9

TOP SECRET

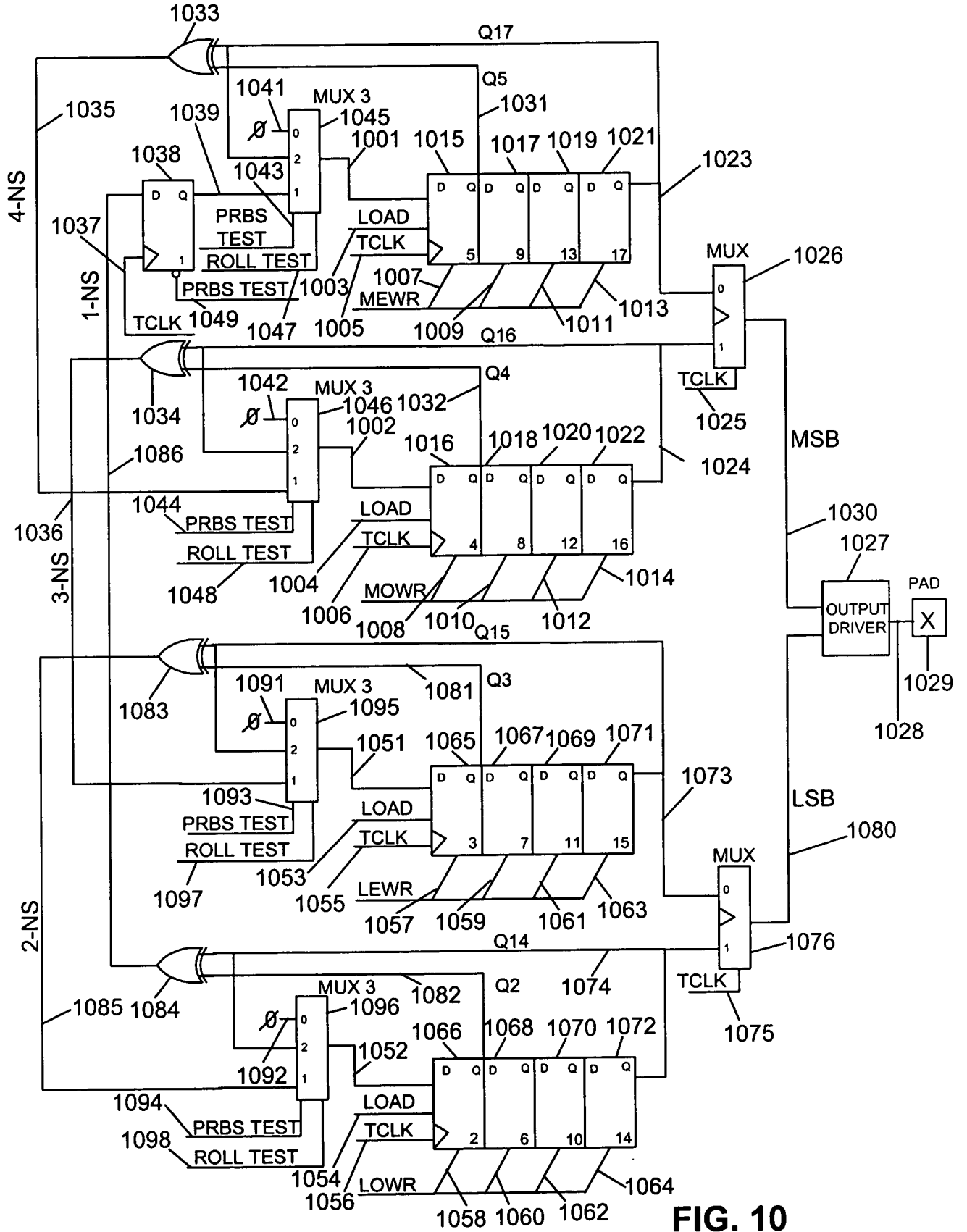


FIG. 10

QRSL RECEIVE PIPELINE EXAMPLE

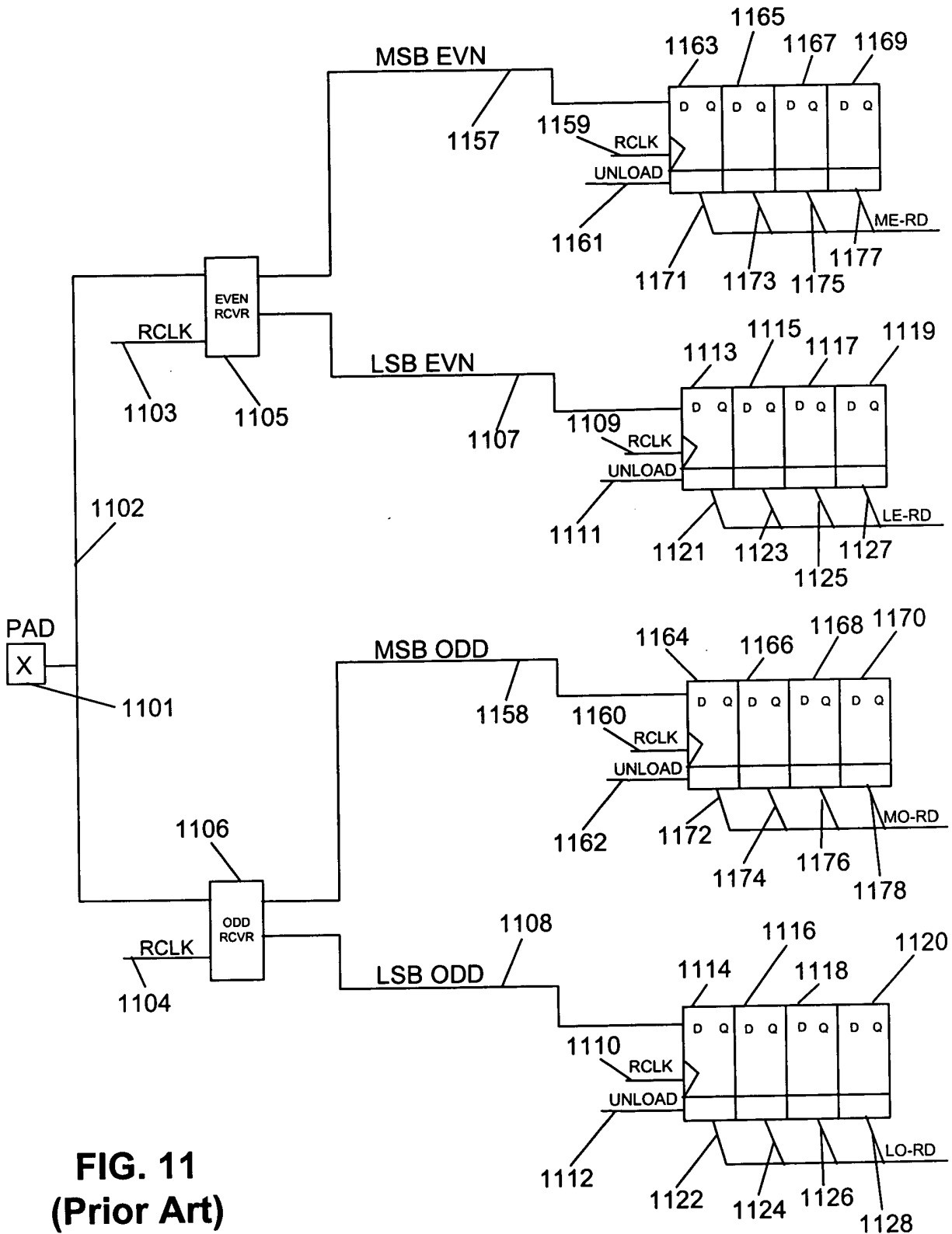


FIG. 11
(Prior Art)

FIG. 11 (Prior Art)

QRSL RECEIVE PIPE WITH PRBS TEST

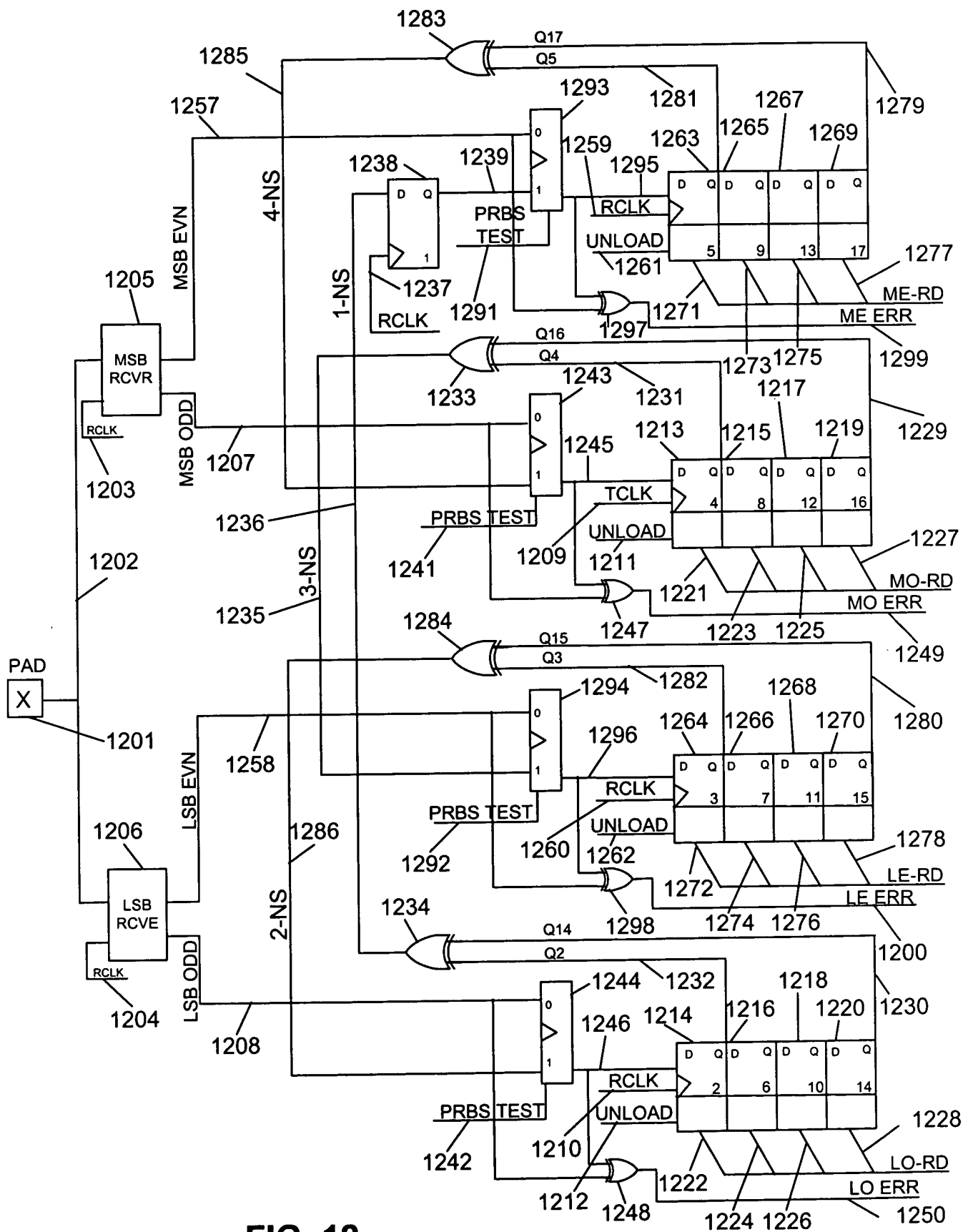


FIG. 12

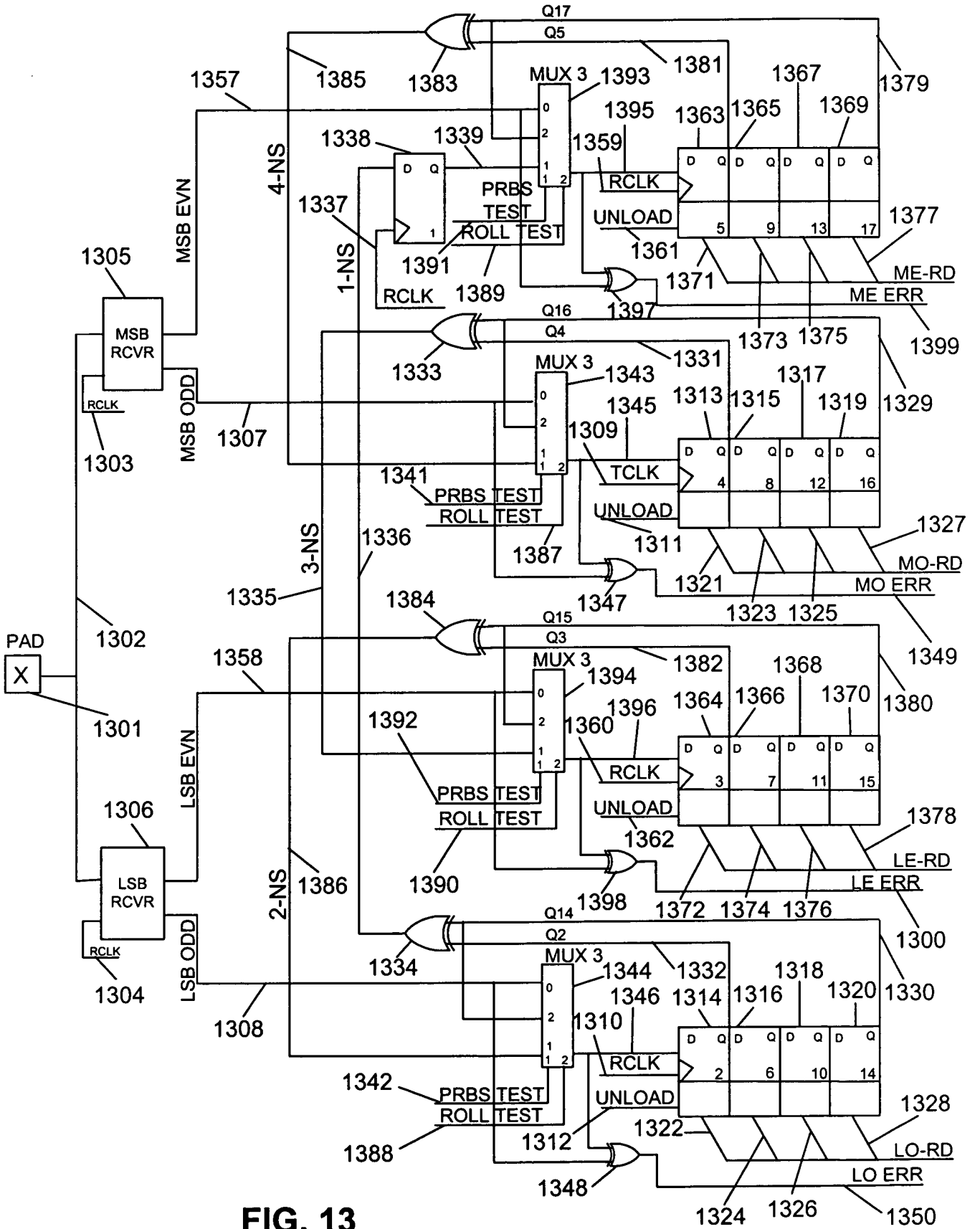


FIG. 13

033260

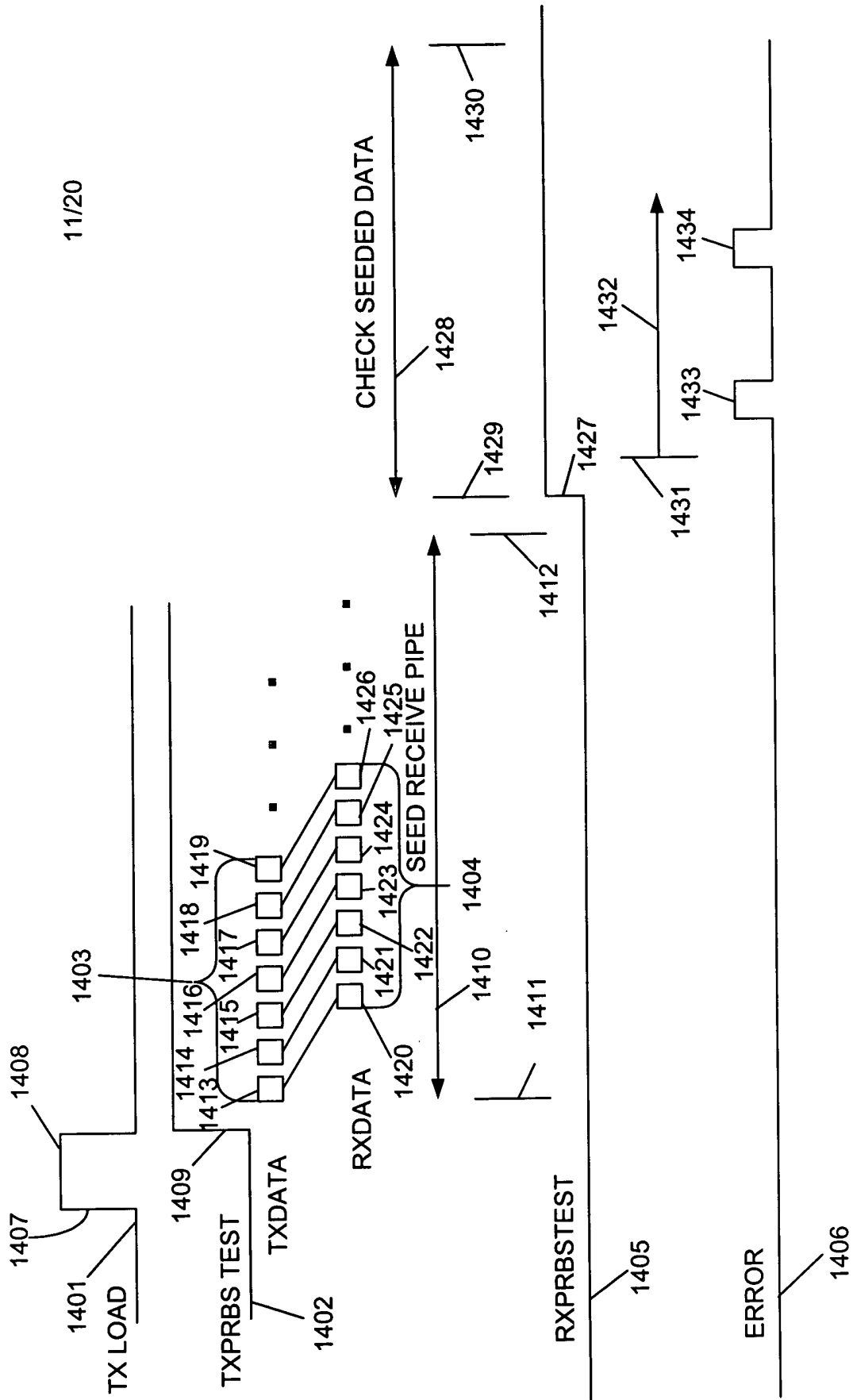


FIG. 14

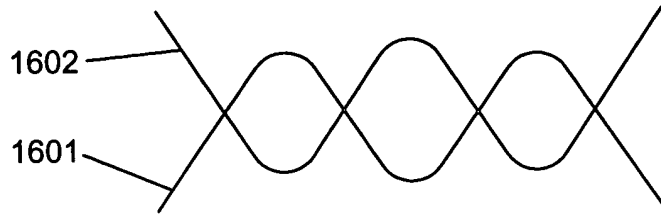


FIG. 16

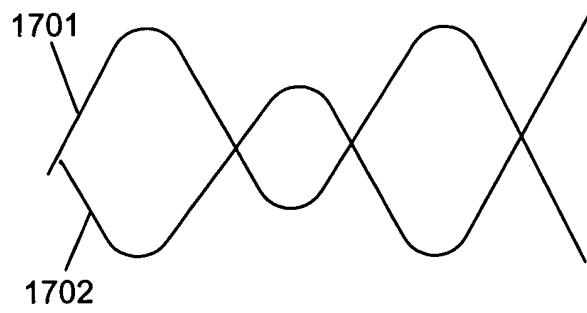


FIG. 17

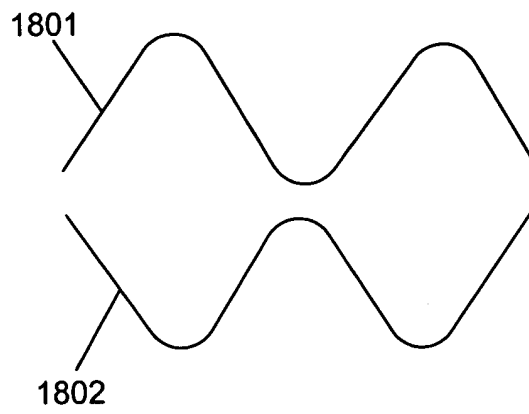


FIG. 18

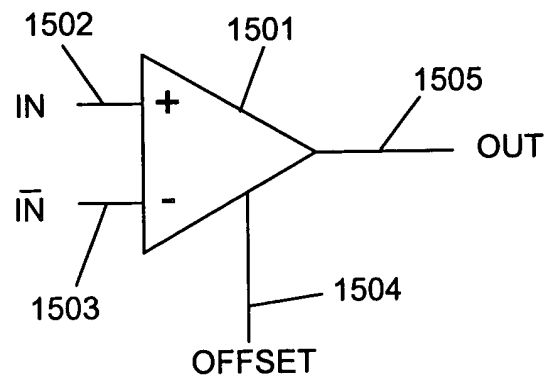


FIG. 15

12/20

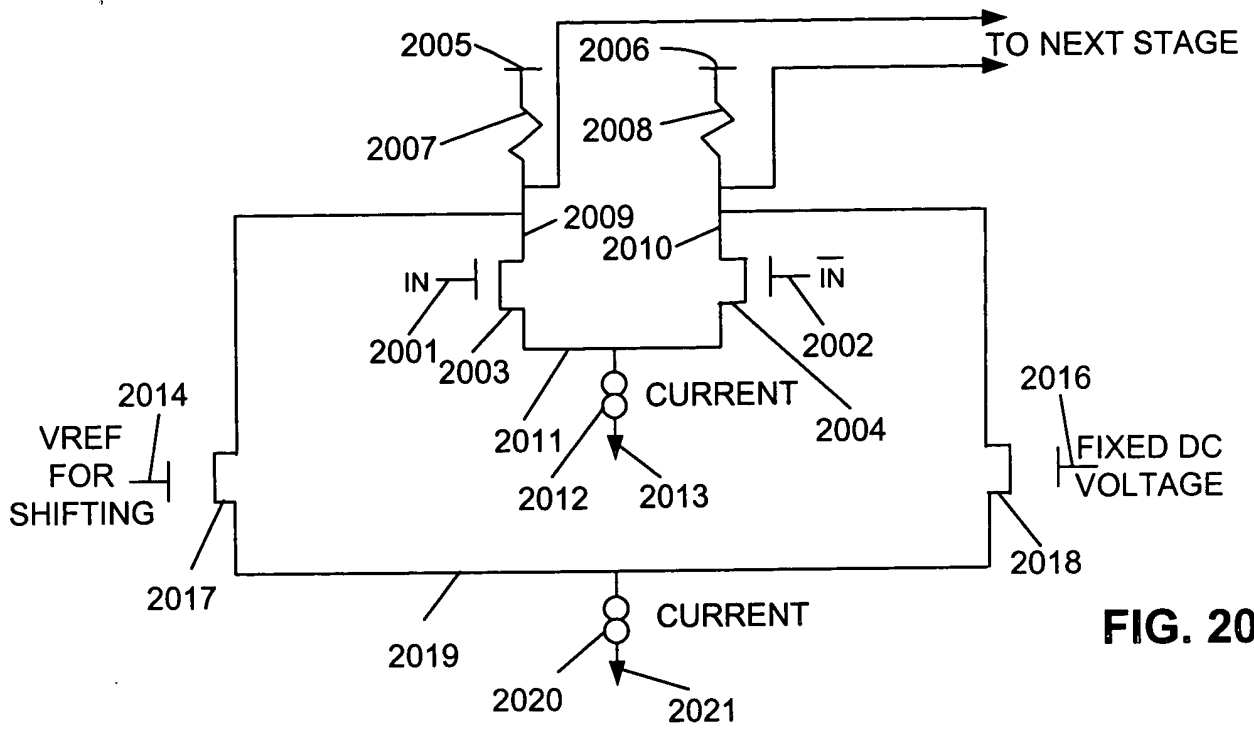


FIG. 20

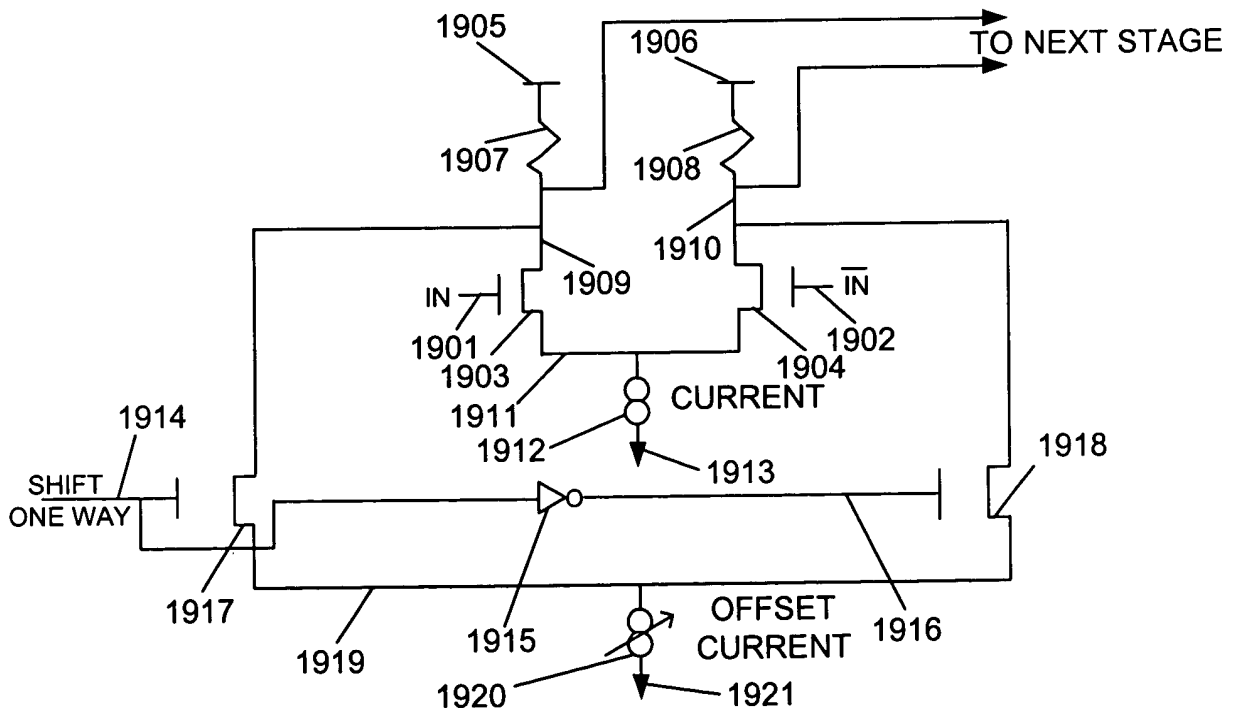


FIG. 19

Patent No. 6,222,200

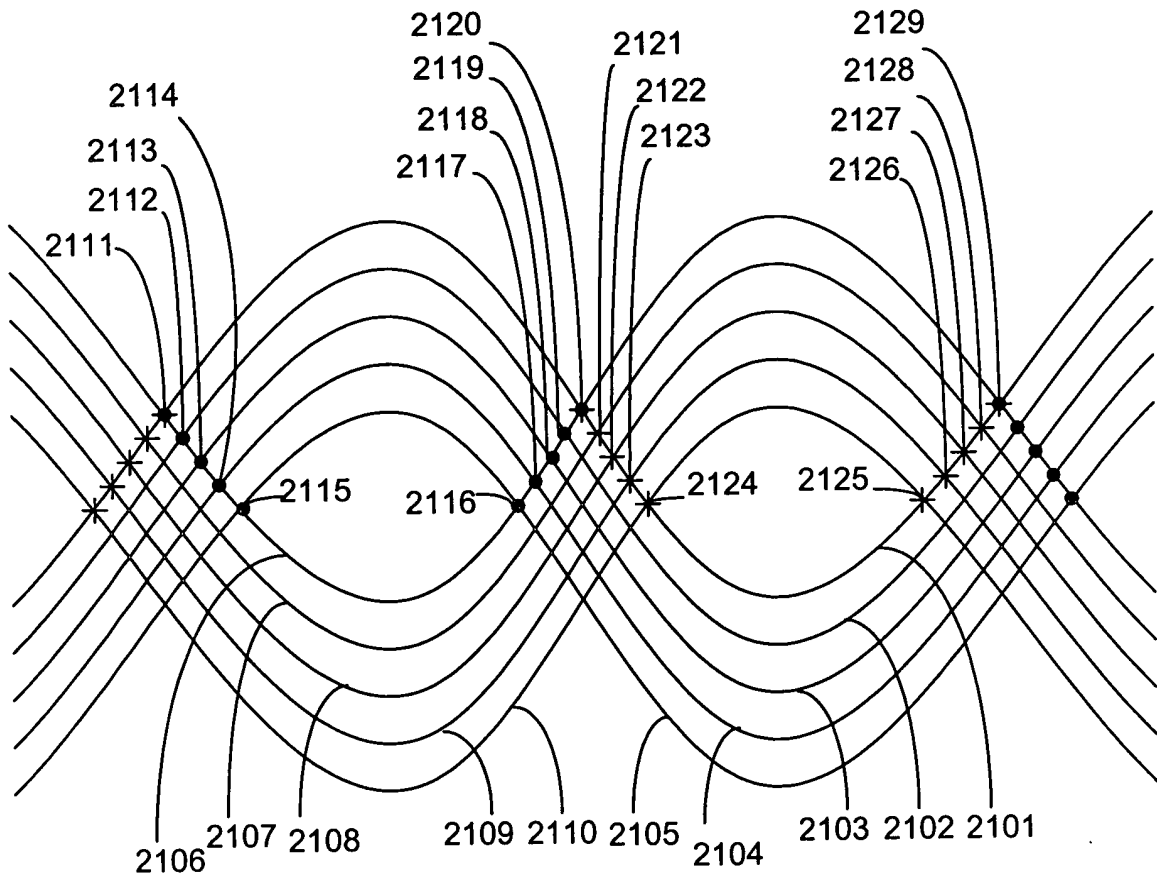


FIG. 21

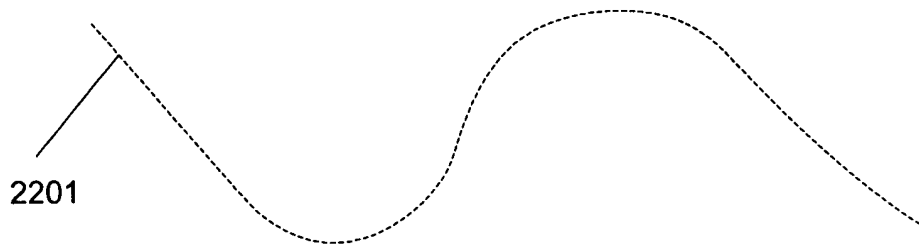


FIG. 22

FIG. 21

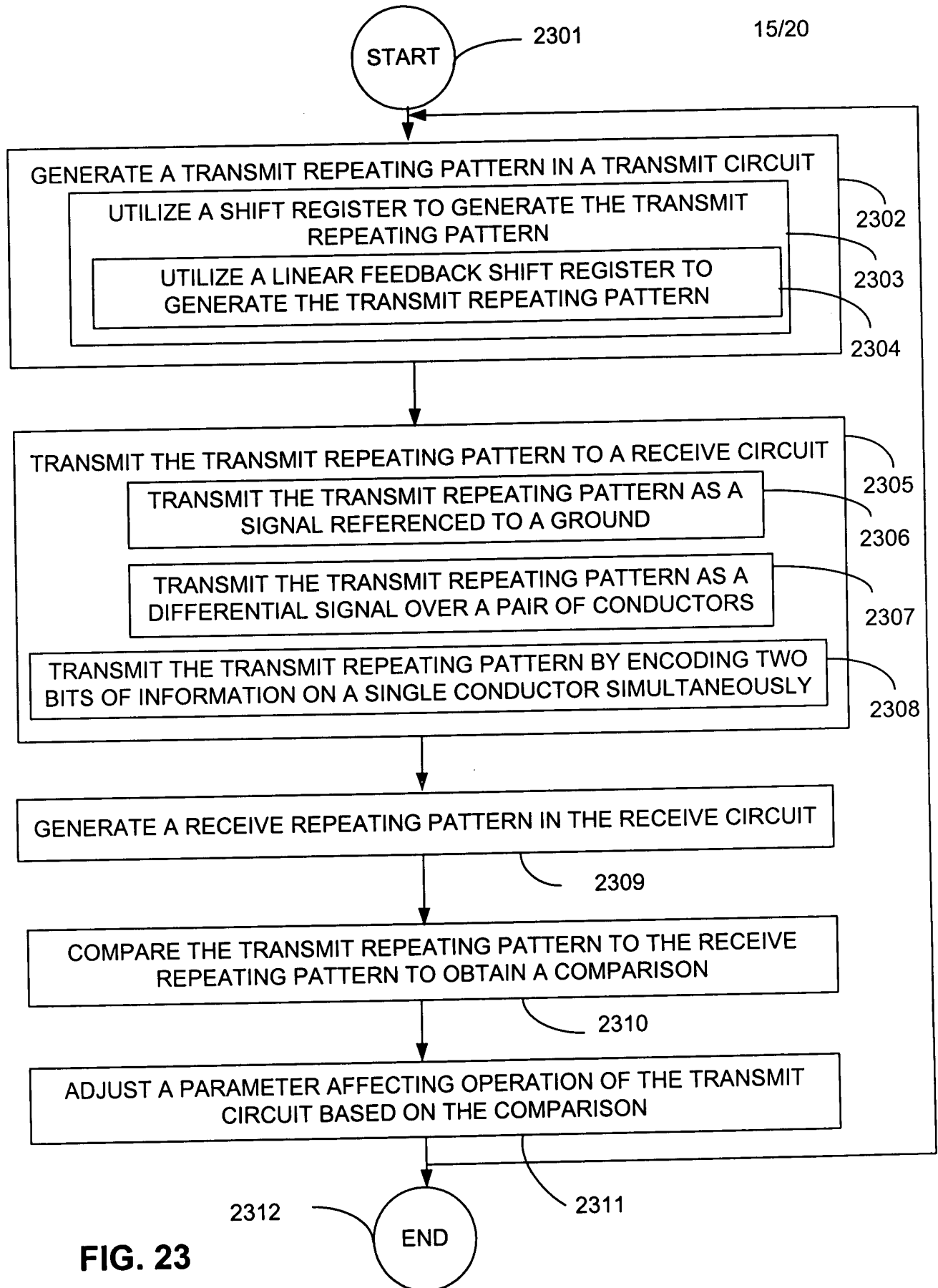


FIG. 23

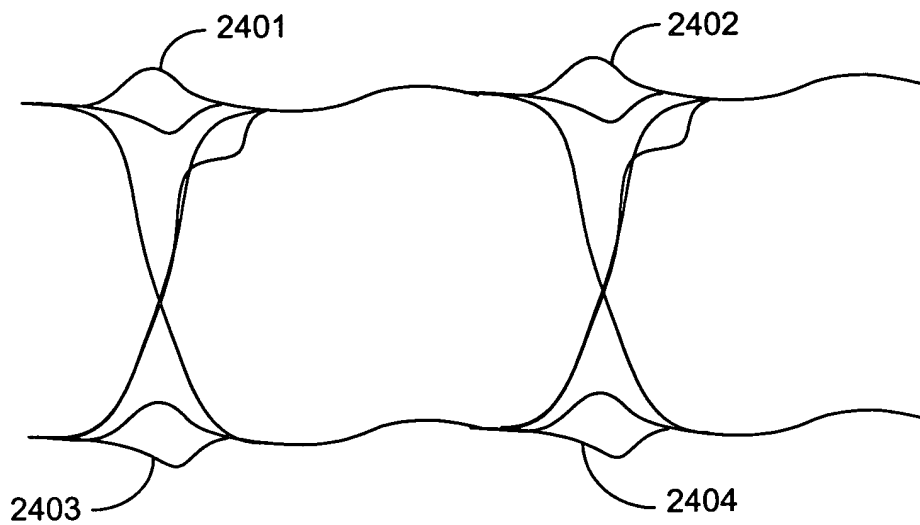


FIG. 24

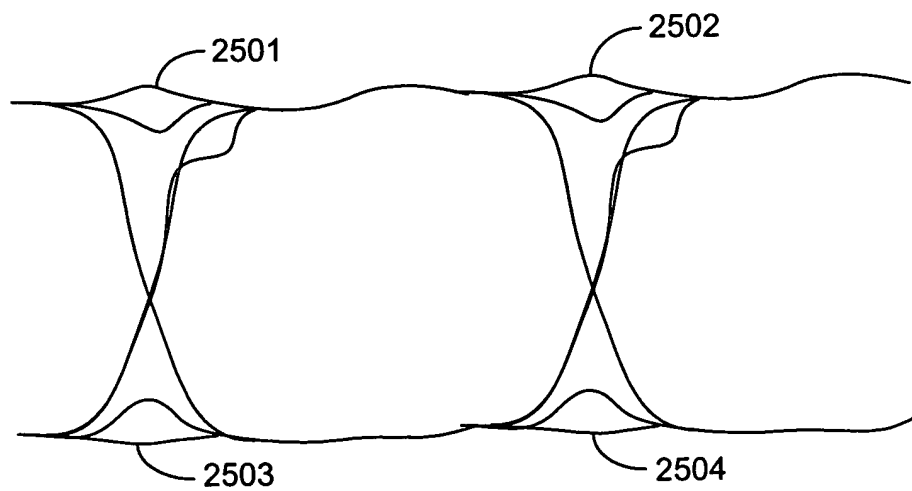


FIG. 25

130000039200

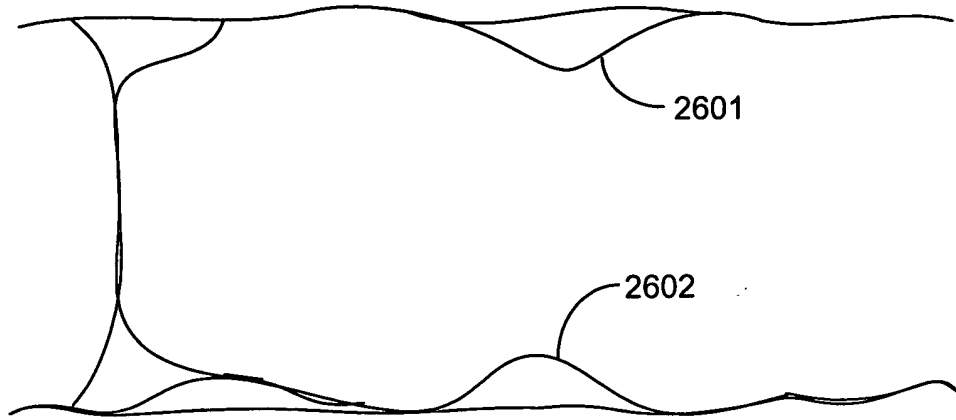


FIG. 26

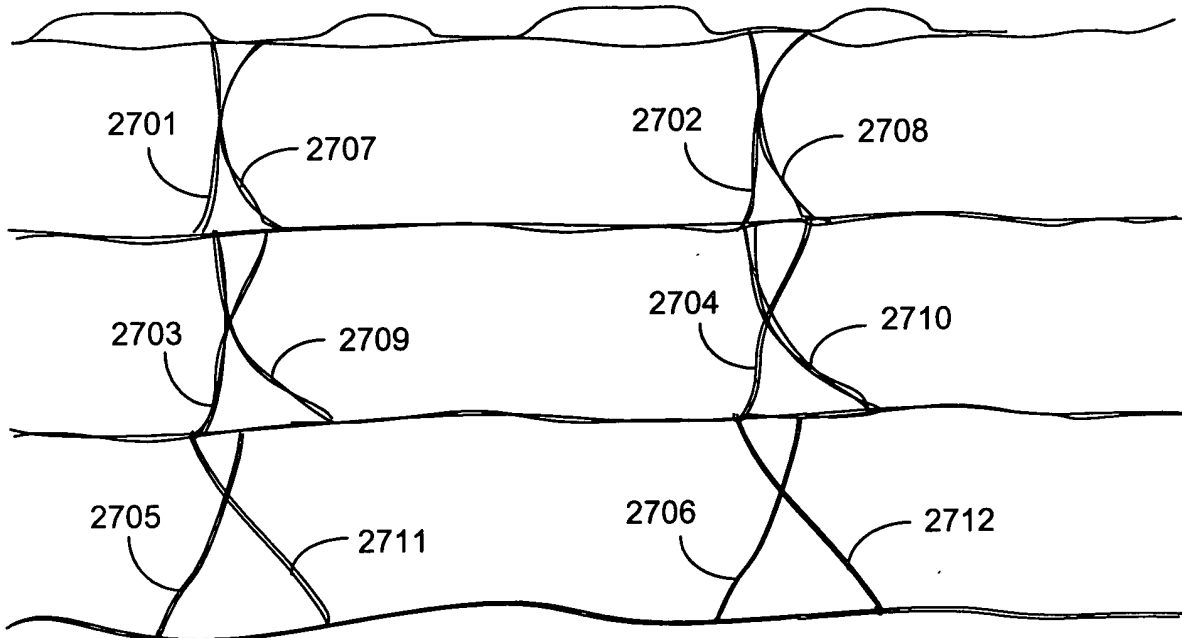


FIG. 27

FOR OFFICIAL USE ONLY

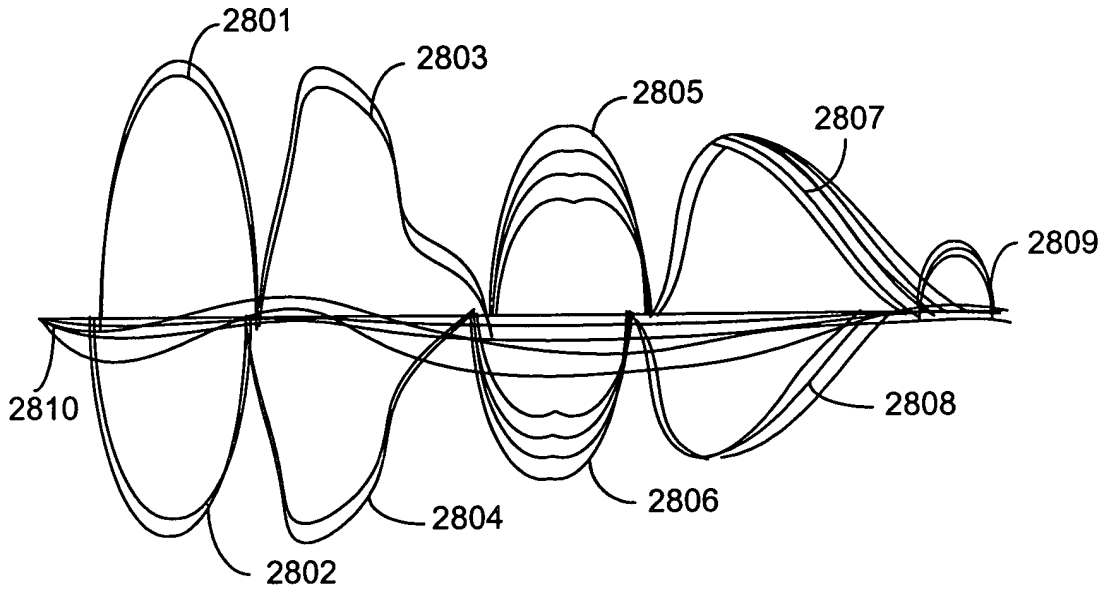


FIG. 28

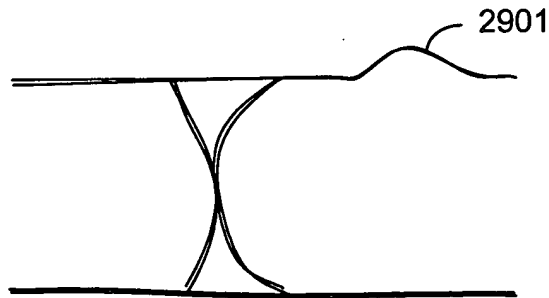


FIG. 29

FIG. 28

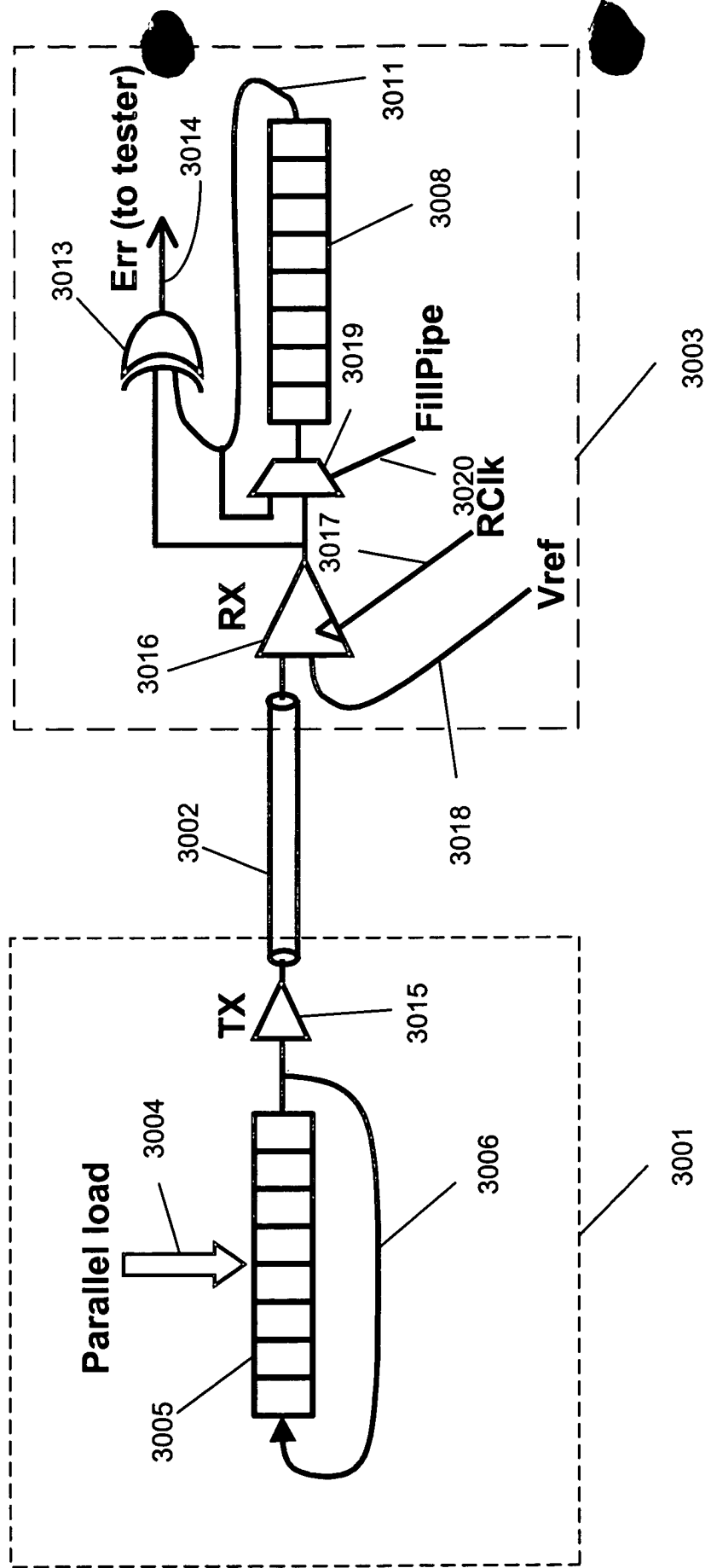
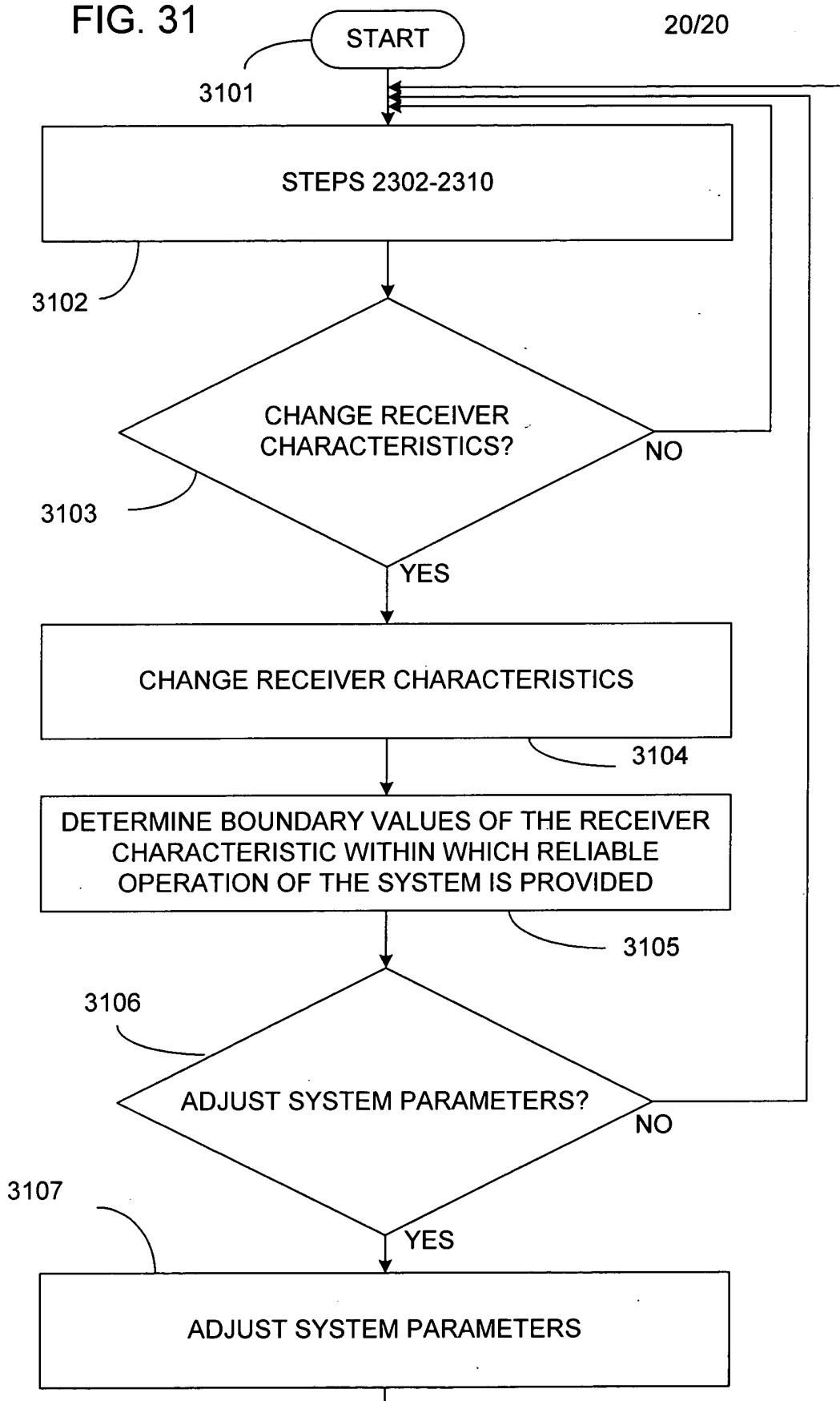


FIG. 30

FIG. 31



FOR REF ID: A63260